

**The Kisan Sahkari Chini Mills Ltd., Gajraula-Hasanpur
P.O.Hasanpur-244241(Distt.Amroha)**

Telephone: 09411693626

Email: sugarfed244241@yahoo.co.in

Website: www.upsugarfed.org

**COMPETITIVE e-bidding
FOR**

**Ex-Godown. Supply of C.I./C.S./Gun Metal casting and conversion as per
our Enclosed drawings from reputed Manufacturers.**

e-bid REFERENCE : **254/c/PS/Tender/1/2024-25**

LAST DATE AND TIME FOR
SUBMISSION OF E-Bids : **13/06/2024 UPTO 10:30 AM**

DATE AND TIME OF OPENING
OF ON LINE TECHNICAL e-Bids : **13/06/2024 AT 11:00 AM**

PLACE OF OPENING OF e-Bids : **The Kisan Sahkari Chini Mills Ltd.
Hasanpur(Amroha)**

ADDRESS FOR COMMUNICATION : **GENERAL MANAGER
The Kisan Sahkari Chini Mills Ltd.
Gajraula-Hasanpur,P.O.Hasanpur-244241
(Amroha)**

e-Bid E.M.D : **Rs. 5000/- (five Thousand Only)**

This Document Contains -- 26 Pages

It will be the responsibility of the e-Bidders to check U.P. Government e-Procurement website <http://etender.up.nic.in> for any amendment through corrigendum in the e-tender document. In case of any amendment, e-Bidders will have to incorporate the amendments in their e-Bids accordingly.

e-tender Document Processing /Cost :

Rs 590.00

INDEX

1	e-Tender Notice	03
2	Invitation of e-Bids	04-06
3	Section I- Instruction to Bidders	
	(A) The e-Bid Document	07
	(B) Preparation of e-Bids	08-13
	(C) e-Bid Opening and Evaluation of e-Bid	14-16
	(D) Award of Contract	17
4	Section II- Conditions of e-Tender / Contract (cc)	18-19
5	Section III- Technical e-Bid	20-23
	III(A) e Bid form	21
	III(B) Schedule of Requirements	22
	III(C) Technical Specifications/ Capability Statement (CS)	23
	Check List	24
	Section IV- Financial e-Bid	25-26
	IV(A) e- Bid Form	26

The KisanSahkariChini Mills Ltd. Gajraula-Hasanpur, P.O.Hasanpur-
244241(Distt.Amroha)U.P.

Ph no. 05924-264167/9870942973

E mail : sugarfed244241@yahoo.co.in

Ref. no. 254 / c /PS/Tender/01/2024-25

Website www.upsugarfed .org

Dated- 07 .06.2024

E-Tender Notice

On line e-tenders are invited from Manufacturer, Authorized Dealer/Stockest®istered suppliers and, Experienced contractors (details given in tender document's) for The kisansahkarichini mills ltd, Gajraula-Hasanpur. The e-tender documents with detailed , work, terms and conditions etc. can be downloaded from portal & federation website as per mentioned below **Tender Fee Rs. 590-00**.

Name of the item/work	Starting date & time of uploading E-Tender 6.30 PM	Closing date & time of tender 10.30A.M	E.M.D (Rs.)	Technical/ commercial e-bid Opening date and time -11.00 AM / 3.30 PM	Arpxo. Value materials/ Work (Rs. In lac)
Sale of Brown Sugar of 2023-24 (Aprox. 3200 qtl)	07.06.2024	13.06.2024	80000.00	13.06.2024	100.00
Supply of Clandria for Quad No.3	07.06.2024	13.06.2024	20000.00	13.06.2024	8.00
Supply of Sugar Stacker	07.06.2024	13.06.2024	15000.00	13.06.2024	7.00
Supply of Transmission Gear with pinion	07.06.2024	13.06.2024	40000.00	13.06.2024	15.00
CI/CS/Gun metal casting/conversion	07.06.2024	13.06.2024	5000.00	13.06.2024	2.00
Supply of I.D. Fan	08.06.2024	14.06.2024	10000.00	14.06.2024	5.00
Fabrication job work	08.06.2024	14.06.2024	25000.00	14.06.2024	12.50
Dismantling,Fabrication& erection of Boiler tubes	08.06.2024	14.06.2024	20000.00	14.06.2024	10.00
Supply of Electric Motor of 240 & 270 HP	08.06.2024	14.06.2024	15000.00	14.06.2024	8.00
Supply of Vacuum Pump Kakatimake	08.06.2024	14.06.2024	4000.00	14.06.2024	2.00
Hardware	08.06.2024	18.06.2024	5000.00	18.06.2024	2.00
Weatherproof tirpal 100% natural 120GSM for Baggase stacking covering .	10.06.2024	18.06.2024	3000.00	18.06.2024	1.50
Nickle screen	10.06.2024	18.06.2024	5000.00	18.06.2024	2.50
Bottom saucer with material & Discharge valve alongwith erection	10.06.2024	18.06.2024	15000.00	18.06.2024	5.00
Bag Sticing Machine spares with AMC	10.06.2024	18.06.2024	5000.00	18.06.2024	2.00
Premium make Reduction Gear Box U-1000	10.06.2024	18.06.2024	4000.00	18.06.2024	2.00
Electric Goods	10.06.2024	18.06.2024	10000.00	18.06.2024	4.00
Ultrasonic thickness test/site balancing	11.06.2024	19.06.2024	2000.00	19.06.2024	1.00

Other details of submission of e bids along with eligibility, date & time, opening of technical/Financial bids, E.M.D, and other terms & conditions will be available on UPLC e-tender portal <http://etender.up.nic.in> & Website www.upsugarfed.org from above dates and time from where tender documents may be downloaded by any tenderer. **The tender fee are Rs. 590-00** (non refundable) and required E.M.D by way of NEFT/ in favour of THE KISAN SAHKARI CHINI MILLS LTD., Hasanpur payable at Hasanpur (Distt. Amroha)

Bank Account No. 11311235098 State Bank Of India , Branch Hasanpur,IFSC- SBIN0000650 for NEFT.

Commercial bid of E-tender without earnest money shall be liable to be rejected. The General Manager Chini Mill reserves the right to cancel any or all e- bids/annual e-bidding process without assigning any reason to & Decision of Chini Mill will be final & binding.

General Manager

Copy forwarded for information and necessary action to:-

- 1 General Manager (P)U.P.Coop. sugar fac.fed.ltd.Lucknow
- 2 Sri RitvikSaxena ,SystemAnalyst,U.P.Coop. sugarfac.fed. ltd.Lucknow for display in Fed. Website.
- 3 All Coop. Sugar factories in U.P.
- 4 All notice Board of chini mill/Tehsil/Block Hasanpur.
- 5 All Departmental Head in chini mill Hasanpur./OS
- 6 A.E.D.P. chini mill ltd Hasanpurfor upload this e- tender notice.

General Manager

INVITATION FOR e-BidS

Online e-bids are invited from reputed /Manufacturers for Supply of Cast Iron/C.S. casting/Gun metal casting and conversion

1. Bidders are advised to study the tender Document carefully. Submission of e-Bid against this tender shall be deemed to have been done after careful study and examination of the procedures, terms and conditions of the tender Document with full understanding of its implications.
2. The e-Bid prepared in accordance with the procedures enumerated in ITB **Clause 15** of Section-I should be submitted through e-Procurement website <http://etender.up.nic.in>.
3. The tender document is available at e-Procurement website <http://etender.up.nic.in> or Federation's website www.upsugarfed.org from **07/06/2024 at 6:30 PM**. Interested bidders may view, download the e-Bid document, seek clarification and submit their e-Bid online up to the date and time mentioned in the table below:

(a)	Date of publication of e-tender notice & availability of Tender Document	Tender Notice has been published over e-Procurement website http://etender.up.nic.in and Federation's website www.upsugarfed.org and tender Document will be available from 07/06/2024 at 6:30 PM at e-Procurement web site http://etender.up.nic.in and Federation's website www.upsugarfed.org
(b)	Availability of tender document on website	07/05/2024 from 6:30 PM at e-Procurement web site http://etender.up.nic.in and Federation's website www.upsugarfed.org
(c)	Clarification start date & time	07/05/2024 from 6:30 PM
(d)	Clarification end date & time	13/06/2024 up to 10:30 AM
(e)	e-Bid submission start date & time (Submission of e-tender fee, EMD and other supporting documents in PDF/XLS format)	13/06/2024 from 6:30 PM
(f)	e-Bid submission end date & Time	13/06/2024 up to 6.30 PM
(g)	Online technical e-Bid opening date & time	13/06/2024 at 11:00 AM
(h)	Online financial e-Bid opening date & time (Only of technically qualified bidders)	13/06/2024 at 03:00 PM

(i)	Venue of opening of technical & financial e-Bids	The Kisan Sahkari Chini Mills Ltd., Gajraula
(j)	Contact officer	PurchaseIncharge-09411693626
(k)	Cost of e-Bid document	Rs 590.00 (Rupees Five Hundred ninety Only) (Non-refundable)
(l)	e-Bid E.M.D	Rs 5000/- (Rs. five Thousand Only)

4. The bidders need to submit the proof/cost of e-Bid document/processing as stated in the above table in NEFT/Cash in the Chini Mill office in favor of The KisanSahkariChini Mills Ltd., Hasanpur, (Distt.Amroha) (herein after referred as Purchaser) payable at Hasanpur (Distt. Amroha). The scanned copy of the Cash Deposit Receipt or NEFT document must be enclosed along with the e-Bids. Cost of e-Bid is Non-Refundable.
5. All e-Bid must be accompanied by e-Bid Earnest Money Deposit (EMD) in NEFT in favor of The KisanSahkariChini Mills Ltd., payable at Hasanpur (Distt. Amroha).
6. The e-Bids will be electronically opened in the presence of bidder's representatives, who choose to attend at the venue, date and time mentioned in the above table. An authority letter of bidders'/OEM representative will be required to be produced.
7. The General Manager reserves the right to cancel any or all the e-Bids/annul the e-Bid process without assigning any reason thereof. The decision of General Manager will be final and binding.
8. In the event of date specified for e-Bids opening being declared a holiday for Mill's office then the due date for opening of e-Bids shall be the following working day at the appointed time and place.
9. All the required documents including Price Schedule/BOQ should be uploaded by the e-Bidder electronically in the PDF/XLS format. The required electronic documents for each document label of Technical (Fee details, Qualification details, e-Bid Form and Technical Specification details) schedules/packets can be clubbed together to make single different files for each label.
10. The Supplier /contractor who are registered at e-Procurement portal for e-tendering with UP Electronics Corporation Ltd, 10 Ashok Marg, Lucknow-226002, would only be eligible for participating in this e-tender as well as in e-tendering system of U.P. Govt. departments. All Supplier/contractor who have not registered themselves with UPLC Ltd ,Lucknow for e-tendering till date can get their registration done by depositing a filled in form issued by UPLC Ltd, Lucknow along with registration fee for participating in this e-tender and other e-tenders of U.P.Govt. departments. The companies/firms/Contractors, who are not having digital signature, can also get their digital signature on deposit of processing fees. The Supplier/ may contact the officials on phone numbers (0522) 4130303 Extn 305 & 307, 09721451211, for their Registration/Digital Signature Certificate related queries. The registration fee may also be deposited through RTGS. The details of RTGS are as under:

M/s U.P.Electronics Corporation Ltd, Lucknow
Indian Bank
Ashok Marg, Lucknow
A/C No. 772819168
IFC code- IDIB000L002
CBS code- 00527

For E-Tendering Enquiry Please Contact Following Persons

01.Sri Rritvik Saxena Federation - 09415526023,07880888823

SECTION I : INSTRUCTIONS TO BIDDERS (ITB)

(A) THE e- BID DOCUMENT

1-Cost of e-Bid

- a) The bidder shall bear all costs associated with the preparation and submission of its e-Bid and The Kisan Sahkari Chini Mills Ltd., Gajraula-Hasanpur (Amroha) hereinafter referred to as “the Purchaser”, will in no case be responsible or liable for these costs, regardless of the conduct or outcome of the e-Bid process.
- b) This tender document is available on the web site <http://etender.up.nic.in> and www.upsugarfed.org to enable the bidders to view, download the e-Bid document and submit e-Bids online up to the last date and time mentioned in e-Tender notice/e-tender document against this e-Tender. The bidders shall have to pay e-Tender document fee of **Rs 590.00 (Rupees Five Hundred ninty Only)** in cash or through NEFT payable in favour of The Kisan Sahkari Chini Mills Ltd., Hasanpur. The scanned copy of the Cash Deposit Receipt or NEFT or Banker’s Cheque must be enclosed along with the e-Bid but the original Cash Deposit Receipt or NEFT be submitted to the e-Tender Committee at e-Bid opening place before opening of the technical e-Bid. This e-tender document fee of **Rs. 590.00** will be non-refundable.

2-Contents of e-Bid Document

2.1 The Supply of Cast Iron/C.S/GM casting & conversion required to be supplied, e-Bid procedure and contract terms and conditions are prescribed in the e-Bid document. The e-Bid document includes:

Invitation for e-Bid

Section I	: Instruction to bidders (ITB);
Section II	: Conditions of E-tender/ Contract (CC);
Section III	: Technical e-Bid;
Section IV	: Financial e-Bid;

2.2 The bidder is expected to examine all instructions, forms, terms and specifications in the e-Bid document. Failure to furnish all information’s required as per the e-Bid document or submission of e-Bid not responsive to the e-Bid document in every respect will be at the bidder’s risk and may result in rejection of the said e-Bid.

3-Clarification of e-Bid Document

A prospective bidder requiring any clarification of the e-Bid document may raise his/her point of clarification through Bid Management Window after successfully login to the e-Procurement website <http://etender.up.nic.in>. The bidder may seek clarification by posting query in the relevant window after clicking "Seek Clarification" option in the view e-tender details window for e-tender which can be selected through my tender option of e-Bid submission menu. The clarification will be replied back by the Purchaser through the e-Procurement website which can be read by the bidder through the "Clarification" option under Bid Submission menu. The Purchaser may also respond to clarifications raised by the prospective bidders on Chini Mill e-mail address sugarfed244241@yahoo.co.in

4. Amendment of e-Bid Document

- 4.1 At any time prior to the deadline for submission of e-Bid, the sugar mill may, for any reason, whether at its own initiative or in response to a clarification requested by a prospective bidder, modify the e-Bid document by amendments. Such amendments shall be uploaded on the e-Procurement website [http:// etender.up.nic.in](http://etender.up.nic.in) and Purchaser's web site www.upsugarfed.org through corrigendum and shall form an integral part of e-Bid document. The relevant clauses of the e-Bid document shall be treated as amended accordingly.
- 4.2 It shall be the sole responsibility of the prospective bidders to check the web site <http://etender.up.nic.in> and www.upsugarfed.org from time to time for any amendment in the e-tender document. In case of failure to get the amendments, if any, the sugar mill shall not be responsible for it.
- 4.3 In order to allow prospective e-Bidders a reasonable time to take the amendment into account in preparing their e-Bids, the Sugar mill, at his discretion, may extend the deadline for the submission of e-Bids. Such extensions shall be uploaded on the e-Procurement website <http://etender.up.nic.in> and Purchaser's web site www.upsugarfed.org.

(B) PREPARATION OF e-Bid

5 Language of e-Bid

- 5.1 The e-Bid prepared by the bidder, as well as all correspondence and documents relating to the e-Bid exchanged by the bidder and the Purchaser shall be written either in English or Hindi language. The correspondence and documents in Hindi must be accompanied by embedded/separate Hindi font files. Only English numerals shall be used in the e-Bid.

6 Documents Constituting the e-Bid

- 6.1 The e-Bid prepared by the bidder shall comprise the following components:

- (a) **Technical e-Bid** - Technical e-Bid will comprise of:

- (i) **Fee Details** includes copies of e-tender document processing/Cost and e-Bid Earnest Money Deposit furnished in accordance with ITB Clause 12 in PDF format.
- (ii) **Qualification Details** – includes copies of required documents as per ITB Clauses 10 and 11 in PDF format justifying that the bidder is qualified to perform the contract if his/her bid is accepted and that the bidder has financial, technical and production capability necessary to perform the contract and meets the criteria outlined in the Qualification Requirement and Technical Specification and fulfill all the conditions of the Contract and that the goods and ancillary services to be supplied by the bidder conform to the e-Bid document and Technical Specifications.
- (iii) **e-Bid Form** – includes copy of filled in e-Bid Form as per Section-III(A) of e-tender document in PDF format justifying that the bidder is complying with all the conditions of the Contract and Technical Specifications of the e-Bid Document as no deviation will be acceptable to the Purchaser.

- (iv) **Technical Specification Details** – includes copy of filled in Technical Specifications as per Section-III (C) of e-tender document in PDF format.
- (b) **Financial e-Bid** – Financial e-Bid will comprise of:
 - (i) **e-Bid Form** – includes copy of filled in e-Bid Form as per Section-IV (A) of e-tender document in PDF format.
- (ii) **Price Schedule/BOQ** includes Price Schedule/BOQ in XLS format to be filled in after downloading from the e-Procurement website for this e-tender.

7-e-Bid Form

- 7.1 The bidder shall complete the e-Bid Form and the appropriate Price Schedule/BOQ furnished in the e-Bid document, including the goods to be supplied, their quantities and prices in the format given in the e-Bid document.

8 e-Bid Price

- 8.1 The bidder shall quote separately in the downloaded spread sheet file for the **Price of CI/CS /Gun metal casting & conversion items to be** supplied to sugar mill on Ex-Godown.
- 8.2 The **price of CI/CS/G.M. casting** & conversion excluding all duties, sales and other taxes.
- 8.3 Prices quoted by the bidder shall be fixed during the bidder's performance of the Contract and not subject to variation on any account subject to ITB Clause 25.1. A e-Bid submitted with an adjustable price quotation unless asked for shall be treated as non-responsive and rejected.

9 e-Bid Currencies

Prices shall be quoted in Indian Rupees only.

10 Documents Establishing bidder's Qualification

- 10.1 Pursuant to ITB Clause 6, the bidder shall furnish, as part of its Technical e-Bid, documents establishing the bidder's qualification to perform the Contract if its e-Bid is accepted. The documentary evidence should be submitted by the bidder electronically in the PDF format.

The documentary evidence of bidder's qualification to perform the Contract if its e-Bid is accepted shall be as per Qualification Requirements specified in Section III (D) of e-tender document.

11 Documents Establishing ex- godown. Supply of various Supply of Cast Iron/C.S. GM casting & conversion

Conformity to e-Bid Documents

11.1 Pursuant to ITB Clause 6, the bidder shall furnish, as part of its e-Bid, documents establishing the conformity to the e-Bid documents of all goods and services which the bidder proposes to supply under the contract. The documentary evidence should be in the PDF file format.

12 e-Bid Earnest Money Deposit (EMD)

12.1 Pursuant to ITB Clause 6, the bidder shall furnish, as part of its e-Bid, an e-Bid EMD of 5000/- (Rs. five Thousand only) in form of NEFT, in favour of The Kisan Sahkari Chini Mills Ltd., Hasanpur (Amroha). The scanned copy of the e-Bid EMD must be submitted along with the e-Bid and the original should be submitted to the e-Tender Committee at e-Bid opening place before opening of technical e-Bid. No Interest on EMD will be paid.

12.2 The e-Bid E.M.D is required to protect the purchaser against the risk of bidder's conduct which would warrant the E.M.D's forfeiture, pursuant to ITB Clause 12.7.

12.3 The e-Bid E.M.D shall be in Indian Rupees and shall be in the following forms only:

A NEFT payable in favour of The Kisan Sahkari Chini Mills Ltd., payable at Hasanpur (Distt. Amroha).

12.4 Any e-Bid not secured in accordance with ITB Clauses 12.1 and 12.3 above shall be treated as non-responsive and rejected by the Mill.

12.5 Unsuccessful bidder's e-Bid E.M.D will be returned upon the written request through cheque as promptly as possible.

12.6 The successful bidder's e-Bid E.M.D. will be converted in security and will be return after due dated of contract without bank interest.

12.7 The e-Bid E.M.D may be forfeited:

(a) if a bidder (i) withdraws its e-Bid during the period of e-Bid validity specified by the bidder on the e-Bid Form; or (ii) does not accept the correction of errors pursuant to ITB Clause 22.2; or (iii) modifies its e-Bid price during the period of e-Bid validity specified by the bidder on the e-Bid form or

(b) In case of a successful bidder, if the bidder fails:

(i) To sign the Contract with the purchaser in accordance with ITB Clause 28; or

(ii) To furnish performance security in accordance with ITB Clause 29.

13 Period of Validity of e-Bid

13.1 e-Bid shall remain valid up to 30 days.

13.2 In exceptional circumstances, the sugar mill may solicit the bidder's consent to an extension of the period of e-Bid validity. The request and the response thereto shall be made in writing. A bidder may refuse the request without forfeiting its e-Bid security. A bidder granting the request will not be required nor permitted to modify its e-Bid.

14 Format and Signing of e-Bid

- 14.1 The bidder shall prepare one electronic copy each of the Technical e-Bid and Financial e-Bid separately.
- 14.2 The e-Bid document shall be digitally signed, at the time of uploading, by the bidder or a person or persons duly authorized to bind the bidder to the Contract. The letter of authorization shall be indicated by a scanned copy of written power-of-attorney accompanying the e-Bid. All the pages/ documents of the e-Bid that are to be uploaded shall be digitally signed by the person authorized to sign the e-Bid.

15. Submission of e-Bid

The Bid Submission module of e-Procurement website <http://etender.up.nic.in> enables the bidders to submit the e-Bid online in response to this e-tender published by the Factory. Bid Submission can be done only from the Bid Submission start date and time till the Bid Submission end date and time given in the e-tender. Bidders should start the Bid Submission process well in advance so that they can submit their e-Bid in time. The bidders should submit their e-Bid considering the server time displayed in the e-Procurement website. This server time is the time by which the e-Bid submission activity will be allowed till the permissible time on the last/end date of submission indicated in the e-tender schedule. Once the e-Bid submission date and time is over, the bidders cannot submit their e-Bid. For delay in submission of e-Bid due to any reasons, the bidders shall only be held responsible.

The bidders have to follow the following instructions for submission of their e-Bid:

- 15.1 For participating in e-Bid through the e-tendering system, it is necessary for the bidders to be the registered users of the e-Procurement website [http:// etender.up.nic.in](http://etender.up.nic.in). The bidders must obtain a User Login Id and Password by registering themselves with U.P. Electronics Federation Limited, Lucknow if they have not done so previously for registration. Refer to details given in Invitation for e-Bid Clause 10.
- 15.2 In addition to the normal registration, the bidder has to register with his/her **Digital Signature Certificate (DSC)** in the e-tendering system and subsequently he/she will be allowed to carry out his/her e-Bid submission activities. Registering the Digital Signature Certificate (DSC) is one time activity. Before proceeding to register his/her DSC, the bidder should first log on to the e-tendering system using the User Login option on the home page with the Login Id and Password with which he/ she has registered as per clause 15.1 above.

For successful registration of DSC on e-Procurement website <http://etender.up.nic.in> the bidder must ensure that he/she should possess Class-2/ Class-3 DSC issued by any certifying authorities approved by Controller of Certifying Authorities, Government of India, as the e-Procurement website <http://etender.up.nic.in> is presently accepting DSCs issued by these authorities only. The bidder can obtain User Login Id and perform DSC registration exercise as described in clauses 15.1 and 15.2 above even before e-Bid submission date starts. The sugar mill shall not be held responsible if the bidder tries to submit his/her e-Bid at the last moment before end date of submission but could not submit due to DSC registration problem.

- 15.3 The bidder can search for active tenders through "Search Active tenders" link, select a tender in which he/she is interested in and then move it to 'My Tenders' folder using the options available in the e-Bid Submission menu. After selecting and viewing the tender, for which the bidder intends to e-Bid, from "My Tenders" folder, the bidder can place his/her e-Bid by clicking "Pay Offline" option available at the end of the view tender details form. Before this, the bidder should download the e-tender document and Price Schedule/Bill of Quantity (BOQ) and study them carefully. The bidder should keep all the documents ready as per the requirements of e-tender document in the PDF format except the Price Schedule/Bill of Quantity (BOQ) which should be in the XLS format (Excel sheet).
- 15.4 After clicking the 'Pay Offline' option, the bidder will be redirected to the Terms and Conditions page. The bidder should read the Terms & Conditions before proceeding to fill in the Tender Fee and EMD offline payment details. After entering and saving the Tender Fee and EMD details, the bidder should click "Encrypt & Upload" option given in the offline payment details form so that "Bid Document Preparation and Submission" window appears to upload the documents as per Technical (Fee details, Qualification details, e-Bid Form and Technical Specification details) and financial (e-Bid Form and Price Schedule/BOQ) schedules/packets given in the tender details. The details of the Demand Draft or any other accepted instrument which is to be physically sent in original before opening of technical e-Bid, should tally with the details available in the scanned copy and the data entered during e-Bid submission time otherwise the e-Bid submitted will not be accepted.
- 15.5 Next the bidder should upload the Technical e-Bid documents for Fee details (e-tender fee and EMD), Qualification details as per "ITB Clause 10 or 21", e-Bid Form as per "Section-III(A)" and Technical Specification details as per "Section-III(C):Technical Specifications" and Financial e-Bid documents as per "Section-IV(A):e-Bid Form" and "Section-IV(B):Price Schedule/BOQ" of e-tender document. Before uploading, the bidder has to select the relevant Digital Signature Certificate. He may be prompted to enter the Digital Signature Certificate password, if necessary. For uploading, the bidder should click "Browse" button against each document label in Technical and Financial schedules/packets and then upload the relevant PDF/XLS files already prepared and stored in the bidder's computer. The required documents for each document label of Technical (Fee details, Qualification details, e-Bid Form and Technical Specification details) and financial (e-Bid Form and Price Schedule/BOQ) schedules/packets can be clubbed together to make single different files for each label.
- 15.6 The bidder should click "Encrypt" next for successfully encrypting and uploading of required documents. During the above process, the e-Bid documents are digitally signed using the DSC of the bidder and then the documents are encrypted/locked electronically with the DSC's of the bid openers to ensure that the e-Bid documents are protected, stored and opened by concerned bid openers only.
- 15.7 After successful submission of e-Bid document, a page giving the summary of e-Bid submission will be displayed confirming end of e-Bid submission process. The bidder can take a printout of the bid summary using the "Print" option available in the window as an acknowledgement for future reference.
- 15.8 sugar mil reserves the right to cancel any or all e-Bids without assigning any reason.

16-Deadline for Submission of e-Bid

- 16.1 e-Bid (Technical and Financial) must be submitted by the bidders at e-Procurement website <http://etender.up.nic.in> not later than time **10.30 AM and 13/06/2024** the date as mentioned on page 4 (as the server time displayed in the e-Procurement website).
- 16.2 The Purchaser may, at its discretion, extend this deadline for submission of e-Bid by amending the e-Bid document in accordance with ITB Clause 4, in which case all rights and obligations of the sugar mill and bidders previously subject to the deadline will thereafter be subject to the deadline as extended.

17 Late e-Bid

- 17.1 The server time indicated in the Bid Management window on the e-Procurement website <http://etender.up.nic.in> will be the time by which the e-Bid submission activity will be allowed till the permissible date and time scheduled in the e-tender. Once the e-Bid submission date and time is over, the bidder cannot submit his/her e-Bid. Bidder has to start the Bid Submission well in advance so that the submission process passes off smoothly. The bidder will only be held responsible if his/her e-Bid is not submitted in time due to any of his/her problems/faults, for whatsoever reason, during e-Bid submission process.

18 Withdrawal and Resubmission of e-Bid

- 18.1 At any point of time, a bidder can withdraw his/her e-Bid submitted online before the bid submission end date and time. For withdrawing, the bidder should first log in using his/ her Login Id and Password and subsequently by his/her Digital Signature Certificate on the e-Procurement website <http://etender.up.nic.in>. The bidder should then select "My Bids" option in the Bid Submission menu. The page listing all the bids submitted by the bidder will be displayed. Click "View" to see the details of the e-Bid to be withdrawn. After selecting the "Bid Withdrawal" option, the bidder has to click "Yes" to the message "Do you want to withdraw this bid?" displayed in the Bid Information window for the selected bid. The bidder also has to enter the bid Withdrawing reasons and upload the letter giving the reasons for withdrawing before clicking the "Submit" button. The bidder has to confirm again by pressing "Ok" button before finally withdrawing his/her selected e-Bid.
- 18.2 The bidder has to request the sugar mill with a letter, attaching the proof of withdrawal and submission of e-Bid EMD in the office of sugar mill, to return back the e-Bid security/EMD as per the manual procedure.
- 18.3 No e-Bid may be withdrawn in the interval between the deadline for submission of e-Bids and the expiration of period of e-Bid validity. Withdrawal of an e-Bid during this interval may result in the bidder's forfeiture of his/her e-Bid E.M.D, pursuant to ITB Clause 12.7.
- 18.4 The bidder can re-submit his/her e-Bid as and when required till the e-Bid submission end date and time. The e-Bid submitted earlier will be replaced by the new one. The payment made by the bidder earlier will be used for revised e-Bid and the new e-Bid submission summary generated after the successful submission of the revised e-Bid will be considered for evaluation purposes. For resubmission, the bidder should first log in using his/her Login Id and Password and subsequently by his/her Digital Signature Certificate on the e-Procurement website <http://etender.up.nic.in>. The bidder should then select "My Bids" option in the Bid Submission menu. The page listing all the bids submitted by the bidder will be displayed. Click "View" to

see the details of the e-Bid to be resubmitted. After selecting the "Bid Resubmission" option, click "Encrypt & Upload" to upload the revised e-Bid documents by following the methodology provided in clauses 15.4 to 15.7.

18.5 The bidders can submit their revised e-Bids as many times as possible by uploading their e-Bid documents within the scheduled date & time for submission of e-Bids.

18.6 No e-Bid can be resubmitted subsequently after the deadline for submission of e-Bids.

(C) e-Bid OPENING AND EVALUATION OF e-Bid

19(A) Opening of Technical e-Bid by the Sugar mill

19.A-1 The Sugar mill will open all technical e-Bids, in the presence of bidders' representatives who choose to attend at 11:00 AM on 13/06/2024 at The Kisan Sahkari Chini Mills Ltd., Hasanpur, Distt. Amroha. The bidder's representatives who are present shall sign a register evidencing their attendance. In the event of the specified date of e-Bid opening being declared a holiday for the sugar mill, the e-Bids shall be opened at the appointed time and place on the next working day.

19.A-2 The bidder's names and the presence or absence of requisite e-Bid security and such other details as the sugar mill at its discretion may consider appropriate, will be announced at the opening. The name of such bidders not meeting the Technical Specifications and qualification requirement shall be notified subsequently.

19.A-3 The Sugar mill will prepare minutes of the e-Bid opening.

19 A-4 General Manager reserves the right to post pane the date and time of opening of Technical & Financial E-Bid in unavoidable circumstances and all the bidders will be informed.

19(B) Opening of Financial e-Bid

19.B.1 After evaluation of technical e-Bid, the Sugar Mill shall notify those bidders whose technical e-Bids were considered non-responsive to the Conditions of the Contract and not meeting the technical specifications and Qualification Requirements indicating that their financial e-Bids will not be opened. The sugar mill will simultaneously notify the bidders, whose technical e-Bids were considered acceptable to the sugar mill. The notification may be sent by letter, fax or by e-mail.

19.B.2 The financial e-Bids of technically qualified bidders shall be opened on 13/06/2024 at 03:00 PM in the presence of bidders who choose to attend the opening of financial bid. The name of bidders, Unit Price quoted for various items etc will be announced at the meeting.

19.B.3 The sugar mill will prepare the minutes of the e-Bid opening.

20 Clarification of e-Bid

20.1 During evaluation of e-Bid, the sugar mill may, at its discretion, ask the bidder for a clarification of his/her e-Bid. The request for clarification and the response shall be in writing.

21 Evaluation of technical e-Bid and Evaluation Criteria

The sugar mill will examine the e-Bid to determine whether they are complete, whether they Meet all the conditions of the Contract, whether required e-tender fee, e-Bid EMD and other required documents have been furnished, whether the documents have been properly digitally signed, and whether the e-Bids are generally in order. Any e-Bid or e-Bids not fulfilling these requirements shall be rejected.

The bidders shall submit the scanned copies of following as documentary proof for evaluation of their technical e-Bids:-

21.1 The e-Bid submitted without required documentary proof shall be rejected.

1. The tenderer has to submit earnest money of **Rs. 5000/- (Rs. five Thousand Only)** by NEFT in favour of Kisan Sahkari Chini Mills Ltd., Hasanpur (Distt.Amroha). The scanned copy of EMD should be uploaded with tender **for supply of CI/CS/Gun metal casting** and conversion.
2. Tenderer must have registration in the Sales Tax Department & has to submit GST no. issued by the department.
3. Tenderer must have registration in the Central Excise Department & has to submit Registration Certificate.
4. Tenderer must have registration in the Income Tax Department & has to submit copy of PAN.
5. Incase, tenderer has supplied this material in other coop. sugar factories, copies of orders should be submitted as a proof of supply of said materials.

21.4 It shall be the discretion of the Purchaser to decide as to whether an e-Bid fulfils the evaluation criterion mentioned in this e-tender or not.

21.5 The bidders are advised not to mix financial bid documents with the PDF documents submitted for technical bid. The e-Bids of the bidders having financial bid document in the technical bid will out rightly be rejected.

22 Financial Evaluation and Comparison of e-Bid

22.1 The Sugar mill will evaluate and compare the financial rates of individual items quoted in the price schedule/BOQ of e-Bids of those bidders whose technical e-Bids are found responsive as per the conditions of the e-tender only for those items of the bidders which have been technically accepted by the sugar mill.

22.2 No additional payments shall be made for completion of any contractual obligation beyond the quoted prices. If the supplier does not accept the correction of errors if any, its e-Bid shall be rejected and its e-Bid security may be forfeited.

22.3 No weightage/preference shall be given to the bidder quoting any higher technical specifications against the technical specifications of the items asked in the e-tender.

22.4 The sugar mill evaluation of a financial bid shall be based in terms of lowest rate quoted excluding all taxes, duties & other expenses.

22.5 The Financial Bids will be opened by Tender Evaluation committee (TEC) in the presence of Bidders' representatives (only one) who choose to attend the Financial Bid opening on date and time to be communicated to all the technically qualified Bidders. The Bidder's representatives who are present shall sign a register evidencing their attendance.

The name of Bidder, Bid Prices etc shall be announced at the meeting.

The commercial quotes of the lowest Bidder shall be notified as L-1. The Quantity offered by the L-1 shall be first taken into consideration.

The bidders are required to give their lowest rates in the tenders; though, generally negotiation will not be held but if required then it will be done with the lowest bidder (L-1) unit wise.

- a) In case L-1 offers to supply the complete order quantity and is assessed to have the adequate capacity to supply the complete order quantity as per the delivery schedule by the Tender Evaluation committee (TEC) then L-1 shall be contracted to execute the complete supply order.
- b) In case L-1 offers to supply partial order quantity and is assessed to have adequate capacity to supply the offered partial order quantity as per the delivery schedule by the Tender Evaluation committee (TEC) then the L-1 bidder shall be contracted to supply the reduced quantity (which shall be more than the guaranteed minimum quantity) and rest of the quantity shall be allotted to subsequent bidder(s) provided the successful Bidder(s) are ready to offer the quantity at the rates quoted by L-1.
- c) The quantity resulting from the split as mentioned above in case (b) shall be offered to the successful Bidder(s) after the assessment by the TEC in terms of their capacity to manufacture and supply.
- d) In case L-1 backs out, the RFP shall be cancelled & Bids shall be invited again L-1 shall however be blacklisted from participating in any future bidding and are liable for legal action taken by the MILL Society.

23 **Contacting the sugar mill**

23.1 Subject to ITB Clause 20, no bidder shall contact the sugar mill on any matter relating to his/her e-Bid, from the time of the e-Bid opening to the time the Contract is awarded. If the bidder wishes to bring additional information to the notice of the sugar mill, he/she can do so in writing.

23.2 Any effort by a bidder to influence the sugar mill in its decisions on e-Bid evaluation, e-Bid comparison or contract award may result in rejection of the bidder's e-Bid.

(D) AWARD OF CONTRACT

24 **Award Criteria**

24.1 The sugar mill will determine to its satisfaction whether the bidder(s) that is selected as having submitted the lowest rate (L-1) evaluated responsive bid meets the criteria specified in ITB Clause 10.2, and is qualified to perform the contract satisfactorily.

- 24.2 Subject to ITB Clause 26, the sugar mill will award the contract to the lowest rate (L-1) evaluated successful Bidder whose bid has been determined to be responsive to all the conditions of the contract and meeting the Technical specification and qualification requirement of the Bidding Document.

25 Sugar mill right to vary Quantities at the Time of Award

- 25.1 The Sugar mill reserves the right at the time of Contract award to increase or decrease the quantity of goods and services originally specified in the Schedule of Requirements without any change in unit price or other terms and conditions, depending upon the requirement of end-customer. The purchaser may also increase or decrease the quantity even after award of contract up to the validity period of E-bid.
- 25.2 If any taxes/duties are increased/ decreased by the Government during the contract period, the same shall be adjusted mutually after submitting the proof by the successful bidder to the sugar mill.

26 Sugar mill right to accept any e-Bid and to reject any or all e-Bids

- 26.1 The Sugar mill reserves the right to accept or reject any e-Bid, and to annul the e-Bid process and reject all e-Bids at any time prior to contract award, without thereby incurring any liability to the affected bidder or bidders.

27-Notification of Award

- 27.1 Prior to the expiration of the period of e-Bid validity, the Sugar mill will notify the successful bidder in writing by letter/e-mail/fax that his/her e-bid has been accepted.

28 Signing of Contract

- 28.1 At the same time as the Sugar mill notifies the successful bidder that his e-bid has been accepted, the Sugar mill will send the bidder the work order/contract form provided in the e-bid document, incorporating all conditions of the agreement between the parties i.e. sugar mill & successful bidder.
- 28.2 Within 03 days of receipt of the contract form, the successful bidder shall execute, sign & date the work order/contract & returned it to the sugar mill.

SECTION II: CONDITIONS OF E-Tender/CONTRACT (CC)

1. ELIGIBILITY

E-tenders are invited from reputed Suppliers/Manufacturers for **Supply of Supply of Cast Iron/C.S./GM casting & conversion (Ex-godown.)**

2. DELIVERY

As per Mill Schedule..

The Sugar mill reserves the right to amend, postpone, reduce or cancel any order under force majeure condition without any notice & without liability for damages/claims on this account.

The Sugar mill may vary the quantity as per assessment of requirement from time to time & may also change the delivery schedule in emergency by giving advance notice of at least 03 days.

3. EARNEST MONEY

Each tender shall be accompanied by an earnest money of **Rs. 5000.00 (Rs. Five Thousand Only)** in the form of NEFT in favour of Kisan Sahkari Chini Mills Ltd., payable at Hasanpur(Amroha). No interest shall be payable on the earnest money.

4. PAYMENT

Payment shall be made 100 % after verification of quantity & quality of materials at sugar mill after receipt of material./as per discussion with Supplier;s/Mill.

5. ARBITRATION

Any dispute arising out of the work order shall be referring to the Secretary/General Manager & the Chairman/District Magistrate, Amroha will act as Sole Arbitrator. The decision of the Arbitrator shall be final & binding on both the parties.

6. E-BIDS OPENING

The tender will be received on the due date in the office of The Kisan Sahkari Chini Mills Ltd., Hasanpur, (Amroha) & will be opened on due date & time. The bidders of requested to remain present or to send their authorized representatives holding power of attorney on behalf of supplier/manufacturer at the time of opening the Technical Bid.

7. **GENERAL TERMS & CONDITIONS FOR SUPPLY OF Supply of Cast Iron/C.S. casting**

1. Tenderer should quote Ex-godown. rates for above materials.
2. There will be no negotiation. In case, it is required negotiation will be done with L-1 tenderer only.
3. In case of excisable goods the payment of Excise Duty against CENVAT benefits.
4. All taxes such as VAT/CST /GST or any other tax as applicable shall be charge actual in the bill.
5. Conditional & incomplete tender will not be accepted.
6. **Quality of C I /CS materials/G.M. Casting & conversion is** the essence of tender. Sub standard quality shall be rejected & tenderer has to take back the rejected material at his own cost.
7. The tenderer has to supply the ordered materials with in the time period specified in the work order during the validity of the contract, failing which the sugar mill will arrange the material from other sources & reserves the right to cancel the order followed with forfeiture of earnest money & the expenses incurred in arranging the material from other sources shall be debited to the tenderer's account.
8. The General Manager reserves the right to accept or reject any or all tenders without assigning the reason thereof.
9. In case of any dispute, decision of General Manager, Chairman/ District Magistrate shall be final & binding on both the parties.
10. In case of any legal disputes Jurisdiction will be district court Amroha.
11. The e-Tender rate is valid up to 31.05-2025

NOTE- Casting rates and Machining Rates will be applicable on Finished Weight only.

All the terms & conditions are accepted

(Signature)
Designation of authorized person
Name & seal of contractor

SECTION III: TECHNICAL E-BID

- III(A) e Bid FORM**
- III(B) SCHEDULE OF REQUIREMENTS AT THE TIME OF LIFTING**
- III(C) TECHNICAL SPECIFICATIONS/CAPABILITY STATEMENTS**

SECTION III(A): e- bid FORM

Date: 07.06.2024

IFB No: 254/PS/tender/1/2024-25

To:

The General Manager
The Kisan Sahkari Chini Mills Ltd.,
Gajraula-Hasanpur,P.O.Hasanpur-244241
Distt. Amroha(U.P.)

Dear Sir,

Having examined the e-Bid Documents, we, the undersigned, offer to supply of CS/CI Castings etc. Ex-Godown. in conformity with the said e-Bid (Section II) of the e-Bid Document and will supply the said materials (Ex-godown.). In addition to this, the particulars of the required e-Bid EMD for Rs. 5000/- (Rupees five Thousand Only) in the form of NEFT pledged in favour of The Kisan Sahkari Chini Mills Ltd., Hasanpur Distt. Amroha is being given with this e-Bid form.

We further undertake, if our e-Bid is accepted, to supply the Supply of Cast Iron /C.S. casting/G.M. Casting & conversion. (Ex- godown.) in accordance within the validity period.

We agree to abide by this e-Bid for the e-Bid validity period specified in Clause 13.1 of the ITB and it shall remain binding upon us and may be accepted at any time before the expiration of that period.

We undertake that, in competing for (and, if the award is made to us, in executing) the above contract, we will strictly observe the laws against fraud and corruption in force in India namely "Prevention of Corruption Act 1998".

We understand that you are not bound to accept the lowest or any e-Bid you may receive.

Dated this.....day of20.....

Signature

(in the capacity of)

Duly authorized to sign e-Bid for and on behalf of

SECTION III(B): SCHEDULE OF REQUIREMENTS

Item Code	Brief Description	Destination	Delivery Schedule	e-Bid E.M.D
	As per the details given in the SECTION III (C) TECHNICAL SPECIFICATIONS	K.S.C.M.Hasanpur	For supply the Supply of Cast Iron/C.S./G.M. casting & conversion as per drg.etc (Ex-godown) as per delivery schedule	Rs 5000/- (Rs. five Thousand Only)

SECTION III (C) TECHNICAL SPECIFICATIONS CAPABILITY STATEMENT (CS)

1. (a) Name and complete mailing address of the business/sales office of the bidder.

(b) Name of Authorized Official

(c) Phone:

(d) Fax:

(e) E-mail:

(f) Principal place of business

(g) Website of Bidder's Firm

2. Parties will have to upload the scanned copies with the Tender and furnish Under Noted Information during The Technical Discussions with Documentary Proof:

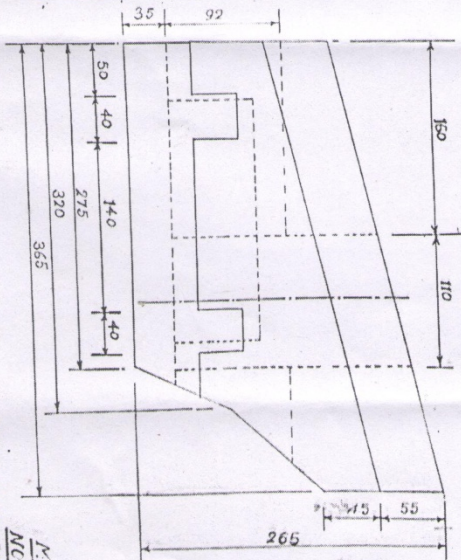
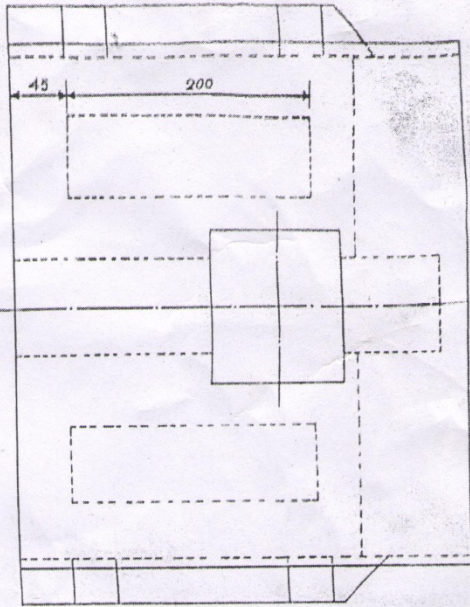
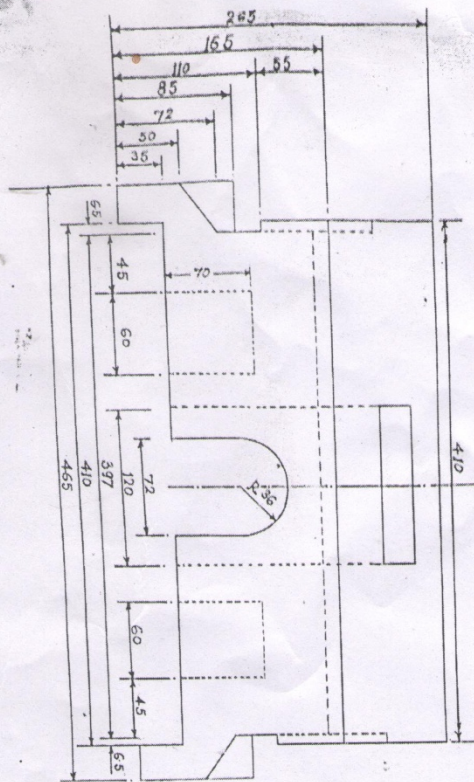
1.	The tenderer has to submit earnest money of Rs. 5000/- (Rs. five Thousand Only) by NEFT in favour of Kisan Sahkari Chini Mills Ltd., Hasanpur(Distt. Amroha). The scanned copy of EMD should be uploaded with tender for supply of various CI/CS/G.M.Casting & conversion items.	
2.	Tenderer must have registration in the Sales Tax Department & has to submit scanned copy of GST issued by the department.	
3.	ITR copy of last 01 years.	
4.	Tenderer must have registration in the Income Tax Department & has to submit scanned copy of PAN.	

Note: Commercial bid will only be opened when technical bids of the bidder are approved by the Technical committee.

Signature and seal of the E-Bidder
With name of the authorized person

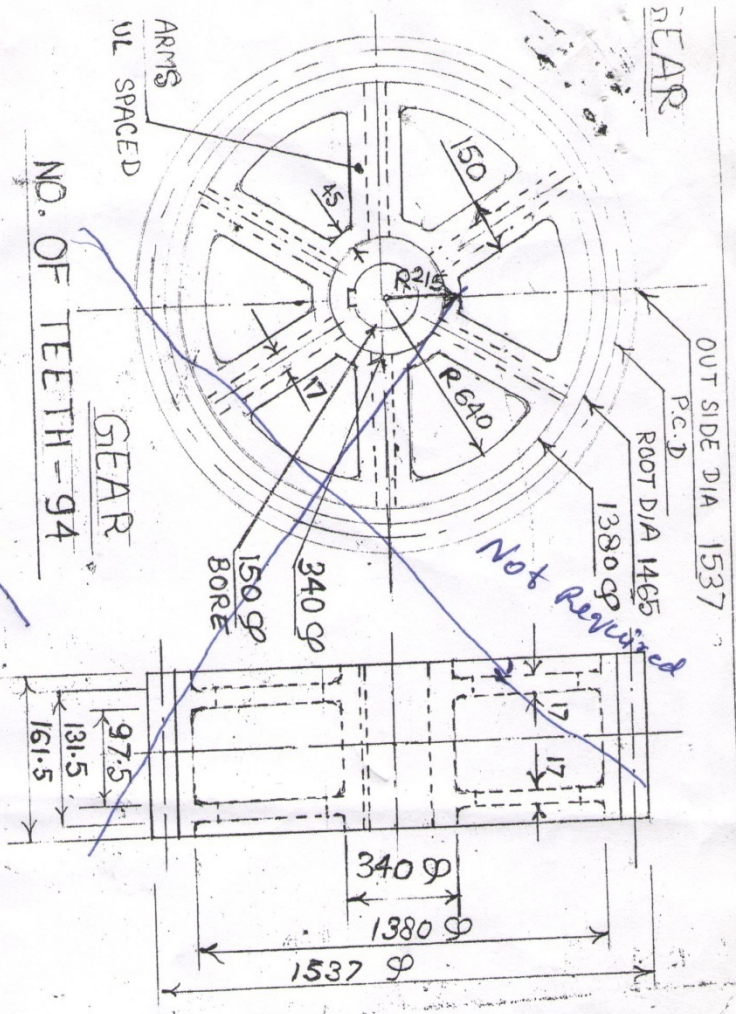
CHECK LIST OF SUPPLY OF **Supply of Cast Iron/C.S. casting**

Sl N.	Clause	Instrument/ Documents required	Page No
1	Clause 4 (Invitation for e-Bids)	Cost of e-Bid Document in Physical Form	
2	-Do-	Scanned Copy of Cost of e-Bid Document	
3	Clause 5 (Invitation for e-Bids)	E-Bid EMD in Physical Form	
4	ITB Clause	Scanned copy of PAN	
5	ITB Clause	Scanned copy of ITR last 01 years.	
6	ITB Clause	Scanned copy of GST	
7	ITB Clause	Scanned copy of e-Bid EMD.	
8	Section III (A)	e-Bid form.	



THE KISEN SAKKARI SHINI		NAME OF	
MILLS LTD. GAT-HASANPUR		DRAWN BY	
DISTT - MORADABAD		CHKD BY	
TAPER WEDGE BLOCK (TAPER)		TRD BY	
MADE IN INDIA		APPROV BY	
MILL 30" X 60"		DATE	

MATERIAL - C.S.
 NOT TO SCALE
 ALL DIMENSIONS ARE IN M.M.



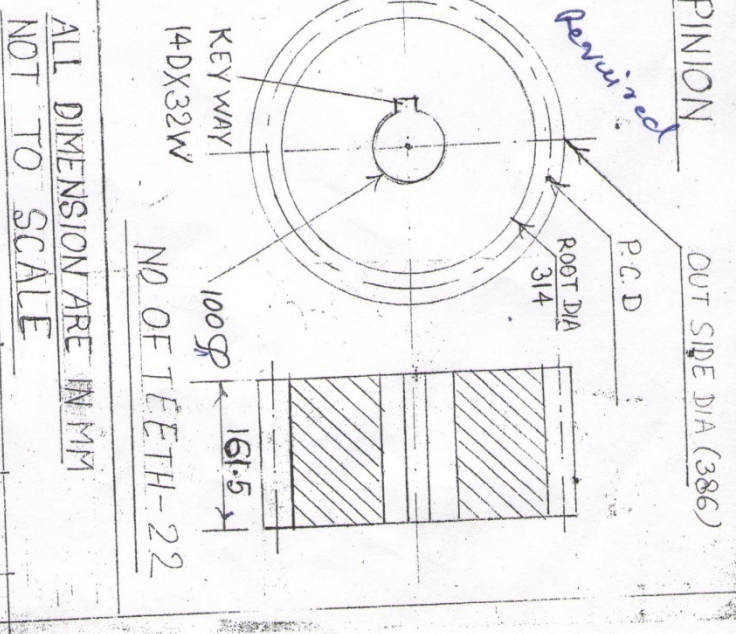
TYPE OF TEETH	GEAR	PINION
NO. OF TEETH	94	22
OUT SIDE DIA	1537	386
ROOT DIA	1465	314
FACE WIDTH	161.5	161.5

THE KISAN SAHKARI CHINI MILLS,
 HASANPUR, (J.P. NAGAR)

GEAR AND PINION FOR CANE
 CARRIER GATEETH P 22 TEETH

DRAWN	CHECKED	APPROVED	NAME	DT.
			AK/SHK	

DRAWING NO. KSCM/SAT/10/13



ALL DIMENSION ARE IN MM
 NOT TO SCALE

SPUR GEAR AND PINION FOR
 RANGE FOR CANE UNLOADER
 K.S.C.H/GA/195/11

DRAWING NO.:

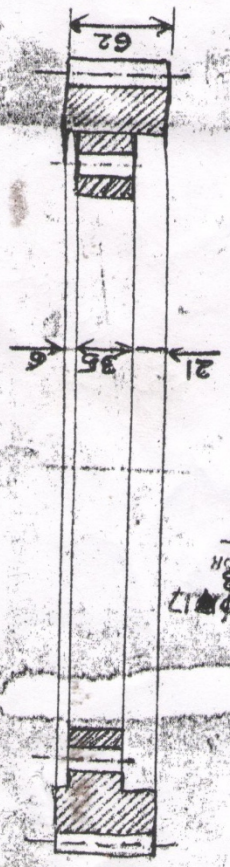
THE KISAN SAHKARI CHINI MILL
 HASANPUR (MORADABAD)

APPROVED
 CHECKED
 DRAWN
 NAME DT

ALL DIMENSION ARE IN M.M.
 NOT TO SCALE
 MATERIAL - K 5cm / 195/16

PARTICULAR	GEAR	PINION
TYPE OF GEAR	SPUR	SPUR
NO OF TEETH	78	19
OUT SIDE DIA	476	125
ROOT DIA	452	101

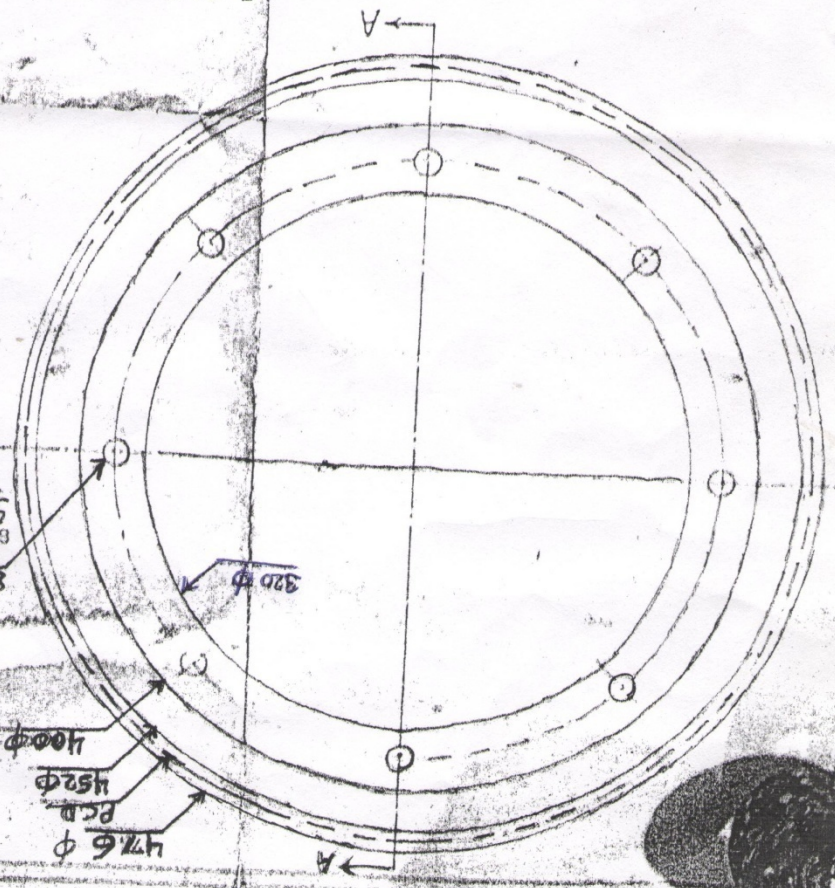
SECTION-AA



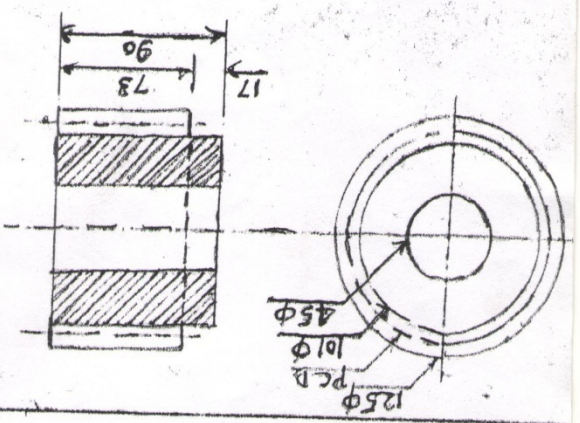
8 NOS HOLES ϕ 17
 H.C.D: 363
 SUITABLE FOR
 5/8 BOLT

ϕ 476
 P.C.D
 ϕ 452
 HOOP

GEAR



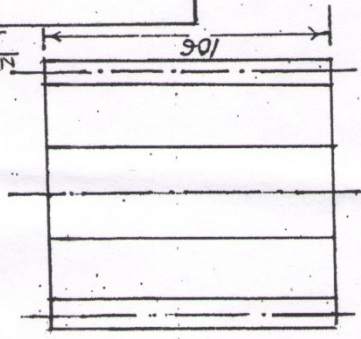
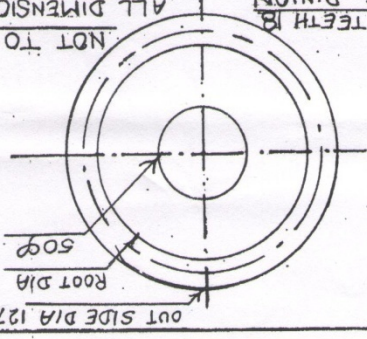
PINION



UNLOADER NO-2, 96 TEETH 18 TEETH		DRAWING NO.	
KSCM/GAJ/11/06		SPUR GEAR & PINION FOR CANE	
APPROVED		HASANPUR [T.P. NAGAR]	
CHECKED		THE KISAN SAHKARI CHINI MILLS LTD	
DRAWN		NAME DT.	

NO OF TEETH - 18

ALL DIMENSION ARE IN MM
NOT TO SCALE



NO OF TEETH - 96

SPUR GEAR
NO OF TEETH 96

